

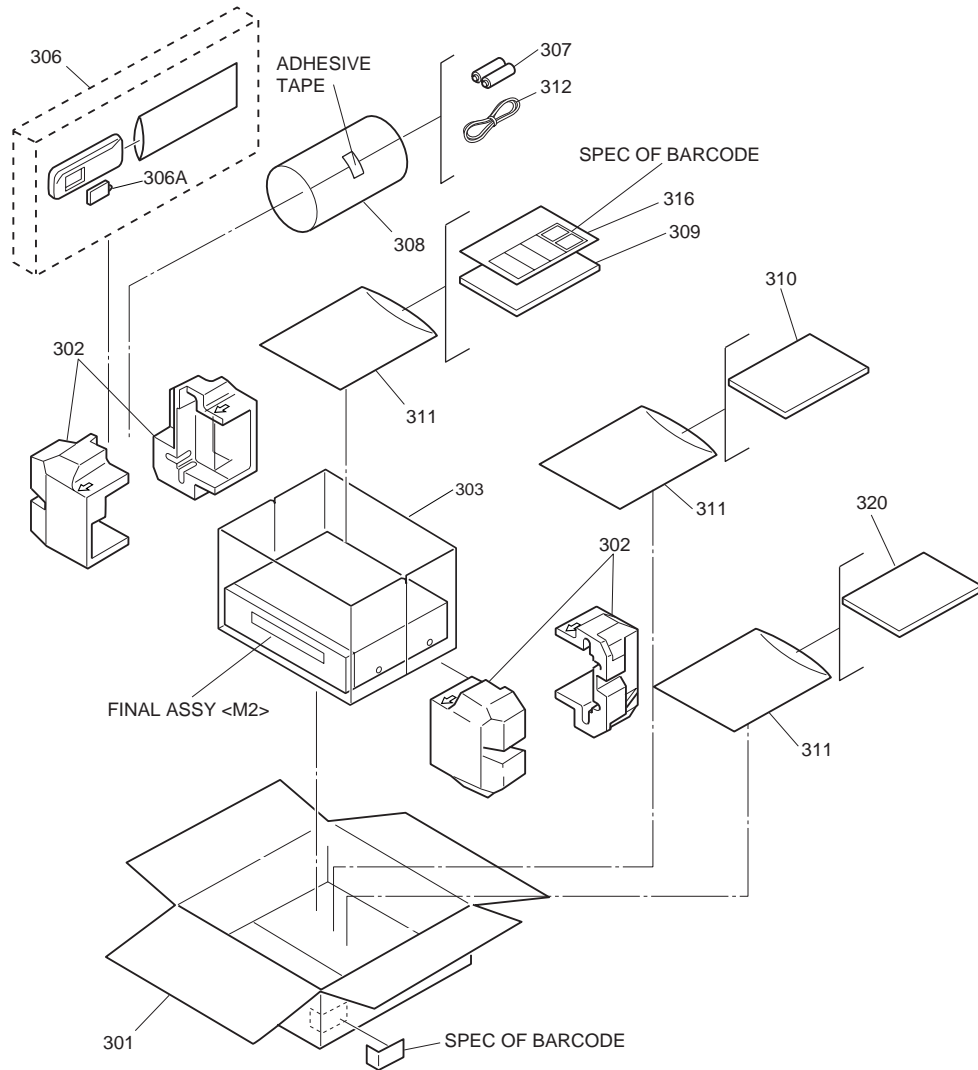
SECTION 5 PARTS LIST

SAFETY PRECAUTION

Parts identified by the \triangle symbol are critical for safety. Replace only with specified part numbers.

5.1 PACKING AND ACCESSORY ASSEMBLY <M1>

The instruction manual to be provided with this product will differ according to the destination.



# \triangle	REF No.	PART No.	PART NAME, DESCRIPTION	# \triangle	REF No.	PART No.	PART NAME, DESCRIPTION	

PACKING AND ACCESSORY ASSEMBLY <M1>								
		301	LP30901-001A	PACKING CASE				
		302	LP30898-001A	CUSHION ASSY				
		303	PQM30021-92	POLY BAG				
		306	LP20878-002A	REMOTE CONTROLLER				
		306A	LP40610-002A	COVER(BATTERY)				
		307	-	BATTERY,X2("R6"TYPE)				
		308	QPC02202230P	POLY BAG				
\triangle		309	LPT0570-001A	INST.BOOK(EN)	\triangle	310	LPT0570-006A	INST.BOOK(IT)
\triangle			LPT0570-002A	INST.BOOK(GE)	\triangle		LPT0570-007A	INST.BOOK(DA)
\triangle			LPT0570-003A	INST.BOOK(FR)	\triangle		LPT0570-008A	INST.BOOK(FI)
\triangle			LPT0570-004A	INST.BOOK(DU)	\triangle		LPT0570-009A	INST.BOOK(SW)
\triangle			LPT0570-005A	INST.BOOK(SP)	\triangle		LPT0570-010A	INST.BOOK(NO)
						311	QPC02503530P	POLY BAG,X3(INST.BOOK)
						312	PEAC0300-02	RF CABLE
						316	BT-54013-2	WARRANTY CARD
					\triangle	320	LPT0570-011A	INST.BOOK(PT)
					\triangle		LPT0570-012A	INST.BOOK(GR)
					\triangle		LPT0570-013A	INST.BOOK(CZ)
					\triangle		LPT0570-014A	INST.BOOK(PO)
					\triangle		LPT0570-015A	INST.BOOK(HU)

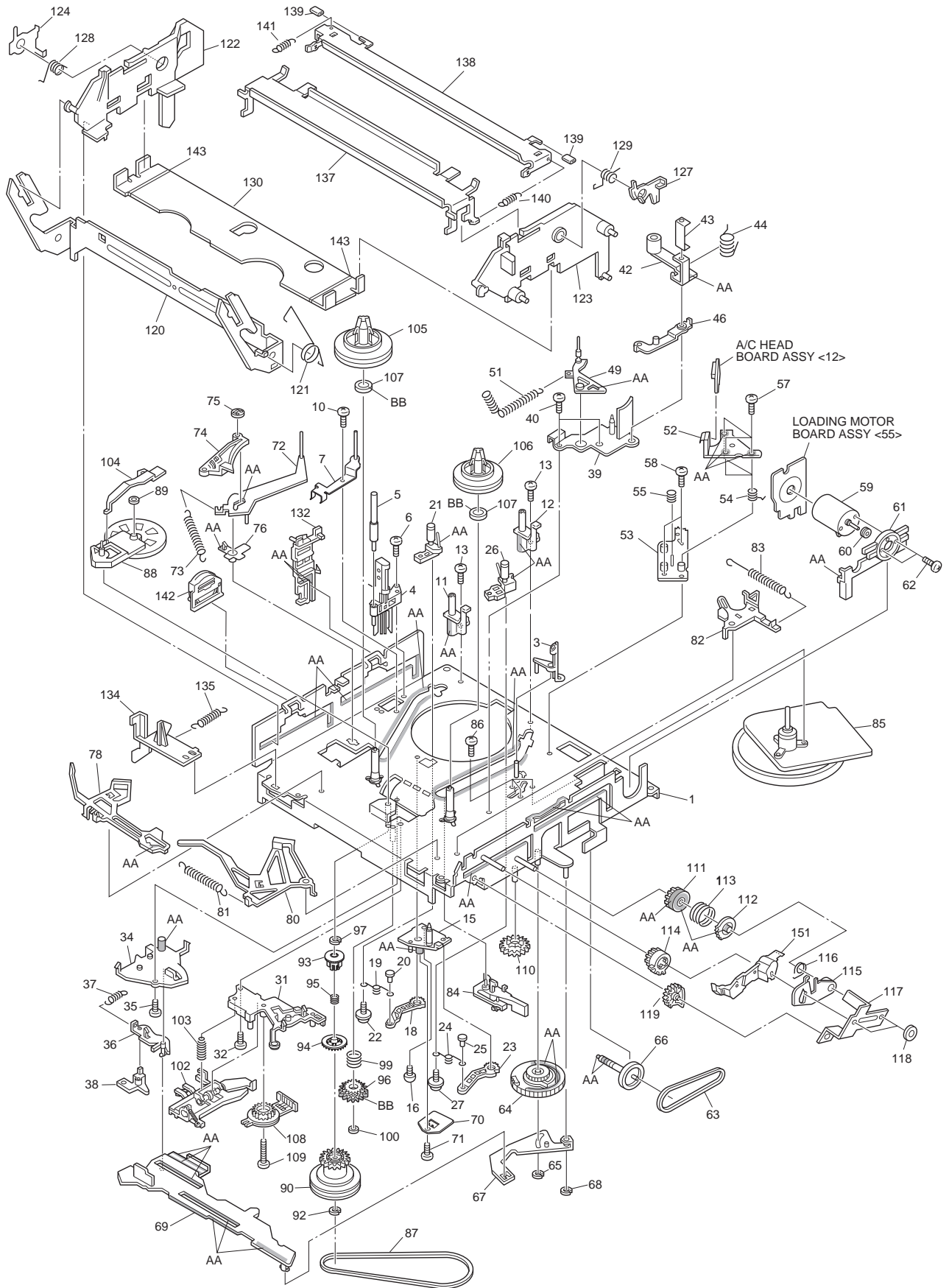
▲ REF No. PART No. PART NAME, DESCRIPTION

▲ REF No. PART No. PART NAME, DESCRIPTION

FINAL ASSEMBLY <M2>

△	501	LP10348-010G	F.PANEL ASSY
	501A	LP20977-006B	CASSETTE DOOR
	501B	PQ46448	TORSION SPRING
	501C	LP20976-010A	DISPLAY WINDOW
△	502	LP10352-010B	TOP COVER
	503	QYTDSF3010R	SCREW,X4 TOP COVER(SIDE)
	505	LP20981-005A	DRUM SUB ASSY
	505E	LP40323-001A	CONTACT
	505F	LP30004-014A	COMPRESSION SPRING
	506	PDZ0179-1-4	ROTOR ASSY
	507	QYSPSP3006Z	SCREW,X2
△	508	QAR0169-002	STATOR ASSY
	509	QYSPSPH2606Z	SCREW,X2
	510	QYTDST2610Z	SCREW,X3 DRUM
△	511	LP10350-006D	BOTTOM CHASSIS
△	512	LP10360-001A	BOTTOM COVER
	513	LP30312-001B	BRACKET(CHASSIS)
	514	QYTDSF3010Z	SCREW,X2 BRACKET
	515	QYTDSF4012Z	SCREW,MECHA
	516	QYTDSF3010Z	SCREW,X2 MECHA
△	523	QMP4A10-170	POWER CORD
	524	LP40253-001B	STOPPER
	525	QYTDSF4012Z	SPECIAL SCREW,MECHA
	527	QYTDSF3010Z	SCREW,TERMINAL
	530	QYTDSF3010Z	SCREW,X3 MAIN
	531	PQ21623-2-5	EARTH PLATE (RF)
	532	LP31028-001A	DRUM SHIELD
	533	LP31029-001A	EARTH PLATE
	534	QYTDST2606Z	SCREW,DRUM SHIELD
	WR1	QUQ212-0519CG	FFC WIRE, DRUM
	WR2	WJT0005-001A	E-CORD WIRE, A/C HEAD

5.3 MECHANISM ASSEMBLY <M4>



Classification	Part No.	Symbol in drawing
Grease	KYODO-SH-P	AA
Oil	COSMO-HV56	BB

NOTE:The section marked in AA and BB indicate lubrication and greasing areas.

#	△	REF No.	PART No.	PART NAME, DESCRIPTION	#	△	REF No.	PART No.	PART NAME, DESCRIPTION

MECHANISM ASSEMBLY <M4>									
1			LP20821-006A	MAIN DECK ASSY	75			PQ46302-1-3	ADJUST PIN
3			LP30492-002B	GUIDE POLE GUARD	76			LP30232-002A	TENSION ARM BEARING
4			NAH0001-001	FULL ERASE HEAD	78			LP40532-008B	MAIN BRAKE ASSY (SUPPLY)
5			LP40098-001B	GUIDE POLE(SUPPLY)	80			LP40111-011A	MAIN BRAKE ASSY (TAKE UP)
6			QYTDST2608Z	SCREW,FE HEAD	81			LP30003-026A	TENSION SPRING
7			LP40637-002A	TENSION STUD BASE ASSY	82			LP40112-001F	SUB BRAKE ASSY(TAKE UP)
10			QYTDST2606Z	SCREW	83			LP40357-002A	TENSION SPRING
11			LP30409-002C	UV CATCHER 2	84			LP40461-001A	CAPSTAN BRAKE ASSY
12			LP30409-002C	UV CATCHER 2	85			QAR0087-005	CAPSTAN MOTOR
13			QYTPST2606Z	SCREW,X2	86			QYTDSEF2606M	SCREW,X3
15			LP30223-003C	LOADING ARM GEAR SHAFT	87			LP30005-007A	BELT,CAPSTAN MOTOR
16			QYTDST2606Z	SCREW	88			LP40114-012A	IDLER ARM ASSY
18			LP30224-001B	LOADING ARM GEAR(SUPPLY)	89			LP40599-001A	WASHER
19			LP40099-001A	TORSION ARM	90			LP40593-001A	CLUTCH UNIT 3
20			LP40100-001A	PIN	92			PQM30017-47	SLIT WASHER
21			LP40101-006A	POLE BASE ASSY(SUPPLY)	93			LP30696-002A	CLUTCH GEAR 4
22			QYSPSTG2606Z	SCREW	94			LP30697-003A	COUPLING GEAR
23			LP40103-002B	LOADING ARM GEAR(TAKE UP)	95			LP40554-002A	COMPRESSION SPRING
24			LP40099-001A	TORSION ARM	96			LP40442-001A	DIRECT GEAR
25			LP40100-001A	PIN	97			LP30017-019A	SPACER
26			LP40104-006A	POLE BASE ASSY(TAKE UP)	99			LP40483-002A	COMPRESSION SPRING
27			QYSPSTG2606Z	SCREW	100			LP30016-001A	SLIT WASHER
31			LP20233-004B	ROTARY ENCODER GUIDE	102			LP40484-001J	CHANGE LEVER ASSY
32			QYTPST2606Z	SCREW	103			LP40512-002B	COMPRESSION SPRING
34			LP30226-004E	CONTROL PLATE GUIDE	104			LP30236-002C	IDLER LEVER
35			QYTPST2605Z	SCREW	105			LP20237-001B	REEL DISK (SUPPLY)
36			LP30249-003B	TAKE UP LEVER	106			LP20238-001B	REEL DISK (TAKE UP)
37			LP30003-006A	TENSION SPRING	107			LP30017-015A	SPACER,X2
38			LP40119-002A	TAKE UP HEAD	108			QSW0554-003	ROTARY ENCODER
39			LP20234-004B	LID GUIDE	109			QYTPST2620Z	SCREW
40			QYTDST2606Z	SCREW,X2	110			LP30237-002B	CASSETTE GEAR
42			LP40105-003A	PINCH ROLLER ARM ASSY	111			LP30239-002G	LIMIT GEAR(1)
43			LP40753-001A	PINCH ROLLER SHEET3	112			LP30240-002G	LIMIT GEAR(2)
44			LP40148-002A	TORSION SPRING	113			LP40136-001E	TORSION SPRING
46			LP40149-001C	PRESS LEVER ASSY	114			LP30242-002A	RELAY GEAR
49			LP40106-007A	GUIDE ARM ASSY	115			LP30339-002E	OPENER GUIDE
51			LP40134-002A	TENSION SPRING	116			LP40545-001A	TORSION SPRING
52			QAH0058-001	AC HEAD	117			LP40214-001B	C.H.BRACKET
53			LP30228-001A	HEAD BASE	118			PQM30017-47	SLIT WASHER,X2
54			LP30004-013A	COMPRESSION SPRING,X3	119			LP30243-001D	DRIVE GEAR
55			LP40236-001A	COMPRESSION SPRING	120			LP20240-001G	DRIVE ARM
57			LP40213-002B	SPECIAL SCREW,X3	121			LP40137-001A	TORSION SPRING
58			QYTDST2608Z	SCREW,X2	122			LP10081-002L	SIDE HOLDER(L)
59			QAR0023-001	LOADING MOTOR	123			LP10082-002M	SIDE HOLDER(R)
60			PQ43546-1-2	MOTOR PULLEY	124			LP30255-006A	LOCK LEVER(L)
61			LP30230-001B	MOTOR GUIDE	127			LP30256-001H	LOCK LEVER(R)
62			QYTPSP3003Z	SCREW,X2	128			LP40168-003A	TORSION SPRING(L)
63			LP30005-003A	BELT,LOADING MOTOR	129			LP40218-001B	TORSION SPRING(R)
64			LP20791-002D	CONTROL CAM	130			LP30257-001G	CASSETTE HOLDER
65			PQM30017-24	SLIT WASHER	132			LP30244-002G	GUIDE RAIL
66			LP40120-001A	WORM GEAR	134			LP30245-002F	REC SAFETY LEVER
67			LP40107-002A	LINK LEVER ASSY	135			LP30003-004A	TENSION SPRING
68			PQM30017-24	SLIT WASHER	137			LP20578-001C	TOP GUIDE
69			LP10201-003E	CONTROL PLATE	138			LP30500-001C	HOLD PLATE
70			LP40379-001B	CONTROL BRACKET(1)	139			LP40450-003A	PAD,X2
71			QYTDSEF2608M	SCREW	140			LP30003-025B	TENSION SPRING
72			LP40108-002A	TENSION ARM ASSY	141			LP30003-024A	TENSION SPRING
73			LP30003-010A	TENSION SPRING	142			LP40481-003A	ROLLER CAM ASSY
74			LP40109-003D	TENSION BRAKE ASSY	143			LP30019-014A	PAD,X2
					151			LP20324-003B	DOOR OPENER

5.4 ELECTRICAL PARTS LIST

#	△ REF No.	PART No.	PART NAME, DESCRIPTION

MAIN BOARD ASSEMBLY <03>			
PW1		LPA10130-20B1	MAIN BOARD ASSY
IC1		JCP8021-MVD	IC
		or JCP8051-MVA	IC
IC3001		MN101D02GWE	IC
		or MN101DP02JAFWE	IC
IC3002		BA6956AN	IC
IC3003		S-80823ANNP-W	IC
		or IC-PST3423U-X	IC
IC3004		S-24C04BFJ-X	IC
		or BR24C04F-W-X	IC
		or AT24C04N-10SC-X	IC
		or X24C04S	IC
		or 24LC04B/SN-X	IC
IC5301		L5431	IC
		or MM1431AT	IC
		or UTCTL431-T	IC
IC7042		GP1U291Q	IR DETECT UNIT
		or PIC-28143LJ	IR DETECT UNIT
		or PIC-37143LJ	IR DETECT UNIT
		or PNA4652M00YC	IR DETECT UNIT
Q12		2SA1576A/QR/-X	TRANSISTOR
		or 2PA1576/R/-X	TRANSISTOR
		or 2SB1218A/QR/-X	TRANSISTOR
Q22		2SC4081/QRS/-X	TRANSISTOR
		or 2SD1819A/QRS/-X	TRANSISTOR
		or 2PC4081/R/-X	TRANSISTOR
Q38		2SC4081/QRS/-X	TRANSISTOR
		or 2PC4081/R/-X	TRANSISTOR
		or 2SD1819A/QRS/-X	TRANSISTOR
Q41		DTC144WU	TRANSISTOR
		or PDTC144WU	TRANSISTOR
		or RN1309	TRANSISTOR
		or UN521E	TRANSISTOR
Q202		2SC4081/QRS/-X	TRANSISTOR
		or 2PC4081/R/-X	TRANSISTOR
Q901		2SA1576A/QRS/-X	TRANSISTOR
		or 2PA1576/R/-X	TRANSISTOR
Q2001		2SC4081/QRS/-X	TRANSISTOR
		or 2PC4081/R/-X	TRANSISTOR
		or 2SD1819A/QRS/-X	TRANSISTOR
Q2002		2SC4081/QRS/-X	TRANSISTOR
		or 2SD1819A/QRS/-X	TRANSISTOR
		or 2PC4081/R/-X	TRANSISTOR
Q2003		DTA144WU	TRANSISTOR
		or PDTA144WU	TRANSISTOR
		or RN2309	TRANSISTOR
		or UN511E	TRANSISTOR
Q2051		2SC4081/QRS/-X	TRANSISTOR
		or 2PC4081/R/-X	TRANSISTOR
		or 2SD1819A/QRS/-X	TRANSISTOR
Q2052		2SA1576A/QR/-X	TRANSISTOR
		or 2SB1218A/QR/-X	TRANSISTOR
		or 2PA1576/R/-X	TRANSISTOR
Q2053		DTC144WU	TRANSISTOR
		or PDTC144WU	TRANSISTOR
		or RN1309	TRANSISTOR
		or UN521E	TRANSISTOR

#	△ REF No.	PART No.	PART NAME, DESCRIPTION
Q2054		2SA1576A/QR/-X	TRANSISTOR
		or 2PA1576/R/-X	TRANSISTOR
		or 2SB1218A/QR/-X	TRANSISTOR
Q2055		DTC144WU	TRANSISTOR
		or PDTC144WU	TRANSISTOR
		or RN1309	TRANSISTOR
		or UN521E	TRANSISTOR
Q3002		PTZ-NV16A	PHOTO TRANSISTOR
Q3004		2SD1819A/QRS/-X	TRANSISTOR
		or 2SC4081/QRS/-X	TRANSISTOR
		or 2PC4081/R/-X	TRANSISTOR
Q4001		UN5211	TRANSISTOR
		or PDTC114EU	TRANSISTOR
		or RN1302	TRANSISTOR
		or DTC114EU	TRANSISTOR
Q4002		2SD1819A/QRS/-X	TRANSISTOR
		or 2SC4081/QRS/-X	TRANSISTOR
		or 2PC4081/R/-X	TRANSISTOR
Q5101		2SK2632-CB14	POWER MOS FET
		or 2SK2632	POWER MOS FET
Q5102		2SD2144S/UV/-T	TRANSISTOR
Q5303		2SD1819A/RS/-X	TRANSISTOR
		or 2SC4081/RS/-X	TRANSISTOR
		or 2PC4081/R/-X	TRANSISTOR
Q5304		2SD2144S/UV/-T	TRANSISTOR
Q5305		DTA114EU	TRANSISTOR
		or PDTA114EU	TRANSISTOR
		or RN2302	TRANSISTOR
		or UN5111	TRANSISTOR
Q5306		DTC114EU	TRANSISTOR
		or PDTC114EU	TRANSISTOR
		or RN1302	TRANSISTOR
		or UN5211	TRANSISTOR
Q5308		2SA1576A/RS/-X	TRANSISTOR
Q5321		2SC3616/ML/-T	TRANSISTOR
Q6030		2SB1218A/QR/-X	TRANSISTOR
		or 2SA1576A/QR/-X	TRANSISTOR
		or 2PA1576/R/-X	TRANSISTOR
Q6031		DTC114EU	TRANSISTOR
		or PDTC114EU	TRANSISTOR
		or RN1302	TRANSISTOR
		or UN5211	TRANSISTOR
Q6533		DTC143TU	TRANSISTOR
Q7001		DTA143TU	TRANSISTOR
Q7002		DTA143TU	TRANSISTOR
Q7003		DTA143TU	TRANSISTOR
Q7004		DTA143TU	TRANSISTOR
Q7005		DTA143TU	TRANSISTOR
Q7006		DTC143TU	TRANSISTOR
Q7007		DTC143TU	TRANSISTOR
Q7008		DTC143TU	TRANSISTOR
Q7009		DTC143TU	TRANSISTOR
Q7010		DTC143TU	TRANSISTOR
Q7011		DTC143TU	TRANSISTOR
Q7012		DTC143TU	TRANSISTOR
Q7101		2SA1576A/QR/-X	TRANSISTOR
		or 2SB1218A/QRS/-X	TRANSISTOR
		or 2PA1576/R/-X	TRANSISTOR
Q7102		DTC144WU	TRANSISTOR
		or PDTC144WU	TRANSISTOR
		or UN521E	TRANSISTOR

#	△	REF No.	PART No.	PART NAME, DESCRIPTION	#	△	REF No.	PART No.	PART NAME, DESCRIPTION	
			or RN1309	TRANSISTOR				or HZ30-2LTD	Z DIODE (M)	
D3001			LNB2301L01VI	LE DIODE	R1		NRSA63J-682X	MG RESISTOR	MG RESISTOR	6.8kΩ,1/16W
D3002			1SS133	DIODE	R2		NRSA63J-152X	MG RESISTOR	MG RESISTOR	1.5kΩ,1/16W
			or 1SS270A	DIODE	R3		NRSA63J-822X	MG RESISTOR	MG RESISTOR	8.2kΩ,1/16W
D3004			11ES2	DIODE	R6		NRSA63J-273X	MG RESISTOR	MG RESISTOR	27kΩ,1/16W
			or 1A3G	DIODE	R7		NRSA63J-681X	MG RESISTOR	MG RESISTOR	680Ω,1/16W
D3005			11ES2	DIODE	R8		NRSA63J-0R0X	MG RESISTOR	MG RESISTOR	0Ω,1/16W
			or 1A3G	DIODE	R9		NRSA63J-0R0X	MG RESISTOR	MG RESISTOR	0Ω,1/16W
D3006			RD33ES/B2/-T2	ZENER DIODE	R12		QUY153-050Y	IM BUS WIRE	IM BUS WIRE	0Ω,1/16W
			or MTZJ33B	ZENER DIODE	R37		NRSA63J-0R0X	MG RESISTOR	MG RESISTOR	0Ω,1/16W
D5001			S1WB/A/60-4102	BRIDGE DIODE	R42		NRSA63J-681X	MG RESISTOR	MG RESISTOR	680Ω,1/16W
			or S1WB/A/60-X	BRIDGE DIODE	R44		NRSA63J-822X	MG RESISTOR	MG RESISTOR	8.2kΩ,1/16W
			or S1WB(A)60F4072X	BRIDGE DIODE	R45		NRSA63J-103X	MG RESISTOR	MG RESISTOR	10kΩ,1/16W
D5101			AU01	FR DIODE	R46		NRSA02J-331X	MG RESISTOR	MG RESISTOR	330Ω,1/10W
			or ERA18-04-T2	FR DIODE	R49		NRSA63J-561X	MG RESISTOR	MG RESISTOR	560Ω,1/16W
			or 1SR153-400-T2	FR DIODE	R71		NRSA02J-0R0X	MG RESISTOR	MG RESISTOR	0Ω,1/10W
			or 10ELS4	FR DIODE	R77		NRSA63J-103X	MG RESISTOR	MG RESISTOR	10kΩ,1/16W
D5102			AU01	FR DIODE	R90		NRSA63J-391X	MG RESISTOR	MG RESISTOR	390Ω,1/16W
			or ERA18-04-T2	FR DIODE	R92		NRSA63J-152X	MG RESISTOR	MG RESISTOR	1.5kΩ,1/16W
			or 1SR153-400-T2	FR DIODE	R93		NRSA63J-222X	MG RESISTOR	MG RESISTOR	2.2kΩ,1/16W
			or 10ELS4	FR DIODE	R104		NRSA63J-682X	MG RESISTOR	MG RESISTOR	6.8kΩ,1/16W
D5103			1SS133	DIODE	R118		NRSA63J-0R0X	MG RESISTOR	MG RESISTOR	0Ω,1/16W
			or 1SS270A	DIODE	R201		NRSA02J-332X	MG RESISTOR	MG RESISTOR	3.3kΩ,1/10W
D5105			1SS133	DIODE	R202		NRSA02J-222X	MG RESISTOR	MG RESISTOR	2.2kΩ,1/10W
			or 1SS270A	DIODE	R203		NRSA02J-101X	MG RESISTOR	MG RESISTOR	100Ω,1/10W
D5201			AU01Z	FR DIODE	R204		NRSA02J-101X	MG RESISTOR	MG RESISTOR	100Ω,1/10W
			or ERA18-02-T2	FR DIODE	R210		QRE141J-332Y	RESISTOR	RESISTOR	3.3kΩ,1/4W
			or 1SR153-400-T2	FR DIODE	R211		NRSA63J-0R0X	MG RESISTOR	MG RESISTOR	0Ω,1/16W
			or 10ELS2	FR DIODE	R904		QRE123J-331X	RESISTOR	RESISTOR	330Ω,1/2W
			or PG104RS	FR DIODE	R905		NRSA02J-101X	MG RESISTOR	MG RESISTOR	100Ω,1/10W
D5203			AU01Z	FR DIODE	R2001		NRSA02J-101X	MG RESISTOR	MG RESISTOR	100Ω,1/10W
			or ERA18-02-T2	FR DIODE	R2003		NRSA02J-101X	MG RESISTOR	MG RESISTOR	100Ω,1/10W
			or 10ELS2	FR DIODE	R2004		NRSA02J-472X	MG RESISTOR	MG RESISTOR	4.7kΩ,1/10W
			or 1SR153-400-T2	FR DIODE	R2005		NRSA02J-153X	MG RESISTOR	MG RESISTOR	15kΩ,1/10W
			or PG104RS	FR DIODE	R2007		NRSA02J-473X	MG RESISTOR	MG RESISTOR	47kΩ,1/10W
D5204			AU01Z	FR DIODE	R2008		NRSA02J-103X	MG RESISTOR	MG RESISTOR	10kΩ,1/10W
			or ERA18-02-T2	FR DIODE	R2010		NRSA02J-562X	MG RESISTOR	MG RESISTOR	5.6kΩ,1/10W
			or PG104RS	FR DIODE	R2013		NRSA63J-682X	MG RESISTOR	MG RESISTOR	6.8kΩ,1/16W
			or 1SR153-400-T2	FR DIODE	R2014		NRSA63J-224X	MG RESISTOR	MG RESISTOR	220kΩ,1/16W
			or 10ELS2	FR DIODE	R2015		NRSA63J-181X	MG RESISTOR	MG RESISTOR	180Ω,1/16W
D5207			AK04	DIODE	R2016		NRSA63J-473X	MG RESISTOR	MG RESISTOR	47kΩ,1/16W
			or 11EQS04	SB DIODE	R2017		NRSA63J-153X	MG RESISTOR	MG RESISTOR	15kΩ,1/16W
D5210			AU01Z	FR DIODE	R2018		NRSA63J-472X	MG RESISTOR	MG RESISTOR	4.7kΩ,1/16W
			or PG104RS	FR DIODE	R2019		NRSA63J-472X	MG RESISTOR	MG RESISTOR	4.7kΩ,1/16W
			or 1SR153-400-T2	FR DIODE	R2024		NRSA63J-332X	MG RESISTOR	MG RESISTOR	3.3kΩ,1/16W
			or 10ELS2	FR DIODE	R2053		NRSA63J-392X	MG RESISTOR	MG RESISTOR	3.9kΩ,1/16W
			or ERA18-02-T2	FR DIODE	R2054		NRSA02J-123X	MG RESISTOR	MG RESISTOR	12kΩ,1/10W
D5301			MTZJ15C	ZENER DIODE	R2055		NRSA02J-3R3X	MG RESISTOR	MG RESISTOR	3.3Ω,1/10W
			or RD15ES/B3/-T2	ZENER DIODE	R2056		NRSA02J-820X	MG RESISTOR	MG RESISTOR	82Ω,1/10W
D5302			1SS133	DIODE	R2057		NRSA02J-473X	MG RESISTOR	MG RESISTOR	47kΩ,1/10W
			or 1SS270A	DIODE	R2058		NRSA02J-183X	MG RESISTOR	MG RESISTOR	18kΩ,1/10W
D5303			RD5.1JS/B2/-T2	ZENER DIODE	R2059		NRSA02J-473X	MG RESISTOR	MG RESISTOR	47kΩ,1/10W
			or MA4051N/M/-T2	ZENER DIODE	R2060		NRSA02J-183X	MG RESISTOR	MG RESISTOR	18kΩ,1/10W
D5304			1SS133	DIODE	R3001		NRSA02J-0R0X	MG RESISTOR	MG RESISTOR	0Ω,1/10W
			or 1SS270A	DIODE	R3017		NRSA02J-102X	MG RESISTOR	MG RESISTOR	1kΩ,1/10W
D5305			AK04	DIODE	R3018		NRSA02J-102X	MG RESISTOR	MG RESISTOR	1kΩ,1/10W
			or 1S4	SB DIODE	R3021		QUY160-100Y	IM BUS WIRE	IM BUS WIRE	
			or 11EQS04	SB DIODE	R3027		QUY160-100Y	IM BUS WIRE	IM BUS WIRE	
D5307			QUY160-100Y	IM BUS WIRE	R3028		NRSA63J-102X	MG RESISTOR	MG RESISTOR	1kΩ,1/16W
D5316			QUY160-100Y	IM BUS WIRE	R3042		NRSA02J-0R0X	MG RESISTOR	MG RESISTOR	0Ω,1/10W
D6002			HZ30-2L-T2	ZENER DIODE	R3056		NRSA02J-102X	MG RESISTOR	MG RESISTOR	1kΩ,1/10W

#	△ REF No.	PART No.	PART NAME, DESCRIPTION	#	△ REF No.	PART No.	PART NAME, DESCRIPTION
R3057		NRSA02J-102X	MG RESISTOR 1kΩ,1/10W	R5308		NRSA02J-471X	MG RESISTOR 470Ω,1/10W
R3060		NRSA02J-0R0X	MG RESISTOR 0Ω,1/10W	R5309		NRSA02J-103X	MG RESISTOR 10kΩ,1/10W
R3090		NRSA02J-102X	MG RESISTOR 1kΩ,1/10W	R5310		NRSA02J-471X	MG RESISTOR 470Ω,1/10W
R3116		NRSA02J-103X	MG RESISTOR 10kΩ,1/10W	R5311		NRSA02J-473X	MG RESISTOR 47kΩ,1/10W
R3117		NRSA02J-103X	MG RESISTOR 10kΩ,1/10W	R5312		NRVA02D-332X	CMF RESISTOR 3.3kΩ,1/10W
R3201		NRSA02J-332X	MG RESISTOR 3.3kΩ,1/10W	R5313		NRVA02D-332X	CMF RESISTOR 3.3kΩ,1/10W
R3206		NRSA02J-103X	MG RESISTOR 10kΩ,1/10W	R5314		NRSA02J-102X	MG RESISTOR 1kΩ,1/10W
R3207		NRSA02J-103X	MG RESISTOR 10kΩ,1/10W	R5316		NRVA02D-103X	CMF RESISTOR 10kΩ,1/10W
R3208		NRSA02J-103X	MG RESISTOR 10kΩ,1/10W	R5317		QRE141J-473Y	RESISTOR 47kΩ,1/4W
R3209		QRE141J-181Y	RESISTOR 180Ω,1/4W	R5320		NRSA02J-273X	MG RESISTOR 27kΩ,1/10W
R3211		NRSA02J-183X	MG RESISTOR 18kΩ,1/10W	R5321		NRSA02J-273X	MG RESISTOR 27kΩ,1/10W
R3212		NRSA02J-181X	MG RESISTOR 180Ω,1/10W	R5330		NRSA02J-102X	MG RESISTOR 1kΩ,1/10W
R3213		QRE141J-273Y	RESISTOR 27kΩ,1/4W	R5331		QRL02DJ-101X	OMF RESISTOR 100Ω,2W
R3214		NRSA02J-181X	MG RESISTOR 180Ω,1/10W	R5332		QRE141J-222Y	RESISTOR 2.2kΩ,1/4W
R3215		NRSA02J-273X	MG RESISTOR 27kΩ,1/10W	R5333		QRL02DJ-391X	OMF RESISTOR 390Ω,2W
R3216		NRSA02J-474X	MG RESISTOR 470kΩ,1/10W	R6020		NRSA02J-102X	MG RESISTOR 1kΩ,1/10W
R3217		NRSA02J-334X	MG RESISTOR 330kΩ,1/10W	R6021		NRSA02J-102X	MG RESISTOR 1kΩ,1/10W
R3218		NRSA02J-562X	MG RESISTOR 5.6kΩ,1/10W	R6023		NRSA02J-0R0X	MG RESISTOR 0Ω,1/10W
R3219		QRE141J-103Y	RESISTOR 10kΩ,1/4W	R6030		NRSA02J-102X	MG RESISTOR 1kΩ,1/10W
R3220		NRSA02J-103X	MG RESISTOR 10kΩ,1/10W	R6031		QRE141J-271Y	RESISTOR 270Ω,1/4W
R3222		NRSA02J-472X	MG RESISTOR 4.7kΩ,1/10W	R6032		NRSA02J-472X	MG RESISTOR 4.7kΩ,1/10W
R3223		NRSA63J-105X	MG RESISTOR 1MΩ,1/16W	R6033		NRSA02J-182X	MG RESISTOR 1.8kΩ,1/10W
R3224		NRSA63J-101X	MG RESISTOR 100Ω,1/16W	R6034		NRSA02J-105X	MG RESISTOR 1MΩ,1/10W
R3226		NRSA02J-103X	MG RESISTOR 10kΩ,1/10W	R6050		QUY160-100Y	IM BUS WIRE
R3227		NRSA02J-103X	MG RESISTOR 10kΩ,1/10W	R6051		NRSA02J-101X	MG RESISTOR 100Ω,1/10W
R3232		QRE141J-104Y	RESISTOR 100kΩ,1/4W	R6052		NRSA02J-101X	MG RESISTOR 100Ω,1/10W
R3233		NRSA02J-472X	MG RESISTOR 4.7kΩ,1/10W	R7001		QRE141J-331Y	RESISTOR 330Ω,1/4W
R3234		NRSA02J-472X	MG RESISTOR 4.7kΩ,1/10W	R7002		NRSA02J-331X	MG RESISTOR 330Ω,1/10W
R3237		NRSA02J-472X	MG RESISTOR 4.7kΩ,1/10W	R7003		NRSA02J-331X	MG RESISTOR 330Ω,1/10W
R3238		NRSA02J-472X	MG RESISTOR 4.7kΩ,1/10W	R7004		NRSA02J-331X	MG RESISTOR 330Ω,1/10W
R4001		QRE141J-222Y	RESISTOR 2.2kΩ,1/4W	R7005		NRSA63J-331X	MG RESISTOR 330Ω,1/16W
R4002		QRE141J-562Y	RESISTOR 5.6kΩ,1/4W	R7006		NRSA02J-331X	MG RESISTOR 330Ω,1/10W
R4003		NRSA02J-222X	MG RESISTOR 2.2kΩ,1/10W	R7007		NRSA63J-331X	MG RESISTOR 330Ω,1/16W
R4004		QUY160-100Y	IM BUS WIRE	R7020		NRSA02J-103X	MG RESISTOR 10kΩ,1/10W
R4006		NRSA02J-472X	MG RESISTOR 4.7kΩ,1/10W	R7021		NRSA02J-122X	MG RESISTOR 1.2kΩ,1/10W
R4010		NRSA02J-471X	MG RESISTOR 470Ω,1/10W	R7022		NRSA02J-182X	MG RESISTOR 1.8kΩ,1/10W
R4011		NRSA02J-471X	MG RESISTOR 470Ω,1/10W	R7023		NRSA02J-222X	MG RESISTOR 2.2kΩ,1/10W
R4012		NRSA02J-153X	MG RESISTOR 15kΩ,1/10W	R7024		NRSA02J-272X	MG RESISTOR 2.7kΩ,1/10W
R4013		NRSA02J-102X	MG RESISTOR 1kΩ,1/10W	R7030		NRSA02J-103X	MG RESISTOR 10kΩ,1/10W
R4018		NRSA02J-103X	MG RESISTOR 10kΩ,1/10W	R7031		NRSA02J-122X	MG RESISTOR 1.2kΩ,1/10W
R4019		NRSA02J-102X	MG RESISTOR 1kΩ,1/10W	R7032		NRSA02J-182X	MG RESISTOR 1.8kΩ,1/10W
R4020		NRSA02J-102X	MG RESISTOR 1kΩ,1/10W	R7033		NRSA02J-222X	MG RESISTOR 2.2kΩ,1/10W
R4021		NRSA02J-103X	MG RESISTOR 10kΩ,1/10W	R7034		NRSA02J-272X	MG RESISTOR 2.7kΩ,1/10W
R4024		QRE141J-103Y	RESISTOR 10kΩ,1/4W	R7035		NRSA02J-472X	MG RESISTOR 4.7kΩ,1/10W
R5101		QRE141J-334Y	RESISTOR 330kΩ,1/4W	R7036		NRSA02J-682X	MG RESISTOR 6.8kΩ,1/10W
R5102		QRE141J-334Y	RESISTOR 330kΩ,1/4W	R7037		NRSA02J-563X	MG RESISTOR 56kΩ,1/10W
R5103		QRE141J-683Y	RESISTOR 68kΩ,1/4W	R7101		NRSA02J-473X	MG RESISTOR 47kΩ,1/10W
R5104		QRG02GJ-683	OMF RESISTOR 68kΩ,2W	R7102		NRSA02J-102X	MG RESISTOR 1kΩ,1/10W
R5106		QRT01DJ-R39X	MF RESISTOR 0.39Ω,1W	R7103		QRE141J-331Y	RESISTOR 330Ω,1/4W
R5107		QRE121J-331Y	RESISTOR 330Ω,1/2W	C1		NCB31CK-104X	CAPACITOR 0.1μF,16V
R5108		NRSA02J-122X	MG RESISTOR 1.2kΩ,1/10W	C2		NCB31CK-104X	CAPACITOR 0.1μF,16V
R5109		QRE141J-681Y	RESISTOR 680Ω,1/4W	C5		QKCC1CM-476	E CAPACITOR 47μF,16V
R5110		NRSA02J-224X	MG RESISTOR 220kΩ,1/10W	C6		NCB11EK-104X	CAPACITOR 0.1μF,25V
R5111		NRSA02J-681X	MG RESISTOR 680Ω,1/10W	C7		NCB21HK-471X	CAPACITOR 470pF,50V
R5112		NRSA02J-221X	MG RESISTOR 220Ω,1/10W	C8		NCB31CK-104X	CAPACITOR 0.1μF,16V
R5301		NRSA02J-472X	MG RESISTOR 4.7kΩ,1/10W	C9		NCB31EK-103X	CAPACITOR 0.01μF,25V
R5302		NRSA02J-102X	MG RESISTOR 1kΩ,1/10W	C10		NDC31HJ-151X	CAPACITOR 150pF,50V
R5303		NRSA02J-122X	MG RESISTOR 1.2kΩ,1/10W	C11		NCB31CK-104X	CAPACITOR 0.1μF,16V
R5304		NRSA02J-471X	MG RESISTOR 470Ω,1/10W	C12		NDC31HJ-470X	CAPACITOR 47pF,50V
R5305		NRSA02J-102X	MG RESISTOR 1kΩ,1/10W	C14		NCB31CK-104X	CAPACITOR 0.1μF,16V
R5306		NRSA02J-471X	MG RESISTOR 470Ω,1/10W	C15		NCB31EK-103X	CAPACITOR 0.01μF,25V

#	△ REF No.	PART No.	PART NAME, DESCRIPTION	
C6033		NRSA02J-0R0X	MG RESISTOR	0Ω,1/10W
C6519		NCB21HK-473X	CAPACITOR	0.047μF,50V
C7013		NCB21HK-103X	CAPACITOR	0.01μF,50V
C7014		NCB21HK-103X	CAPACITOR	0.01μF,50V
C7111		NDC31HJ-390X	CAPACITOR	39pF,50V
L1		QQL29BJ-100Z	COIL	10μH
L2		QUY153-050Y	IM BUS WIRE	
L3		QQL29BJ-100Z	COIL	10μH
L4		QQL29BJ-100Z	COIL	10μH
L5		QQL29BJ-100Z	COIL	10μH
L12		QQR0967-001	COIL	12μH
L13		QQL231J-330Y	COIL	33μH
L24		QQL231J-270Y	COIL	27μH
L27		QQL231J-330Y	COIL	33μH
L28		QQL231J-680Y	COIL	68μH
L201		QUY153-050Y	IM BUS WIRE	
L203		QQL231J-4R7Y	COIL	4.7μH
L204		QUY153-050Y	IM BUS WIRE	
L901		QQL29BJ-100Z	COIL	10μH
L2001		QUY153-050Y	IM BUS WIRE	
L5201		PELN1184	COIL	33μH
L5202		PELN1184	COIL	33μH
L6001		QQL29BJ-100Z	COIL	10μH
L6002		QQL29BJ-470Z	COIL	47μH
L7111		NQL103K-R10X	COIL	0.1μH
L7112		QQL231J-4R7Y	COIL	4.7μH
X1		QAX0576-001	CRYSTAL RESONATOR	
X3001		QAX0526-001Z	CRYSTAL RESONATOR	
X3002		QAX0444-001	CRYSTAL RESONATOR	
S3001		QSW0602-004	PUSH SWITCH,REC.SAFETY	
S7004		QSW0456-002Z	TACT SWITCH,REW/CH-	
S7006		QSW0456-002Z	TACT SWITCH,FF/CH+	
S7010		QSW0456-002Z	TACT SWITCH,PLAY	
S7016		QSW0456-002Z	TACT STAND-BY	
S7017		QSW0456-002Z	TACT SWITCH,STOP/EJECT	
S7018		QSW0456-002Z	TACT SWITCH,REC	
S7019		QSW0456-002Z	TACT SWITCH,PAUSE/CH	
K5101		QQR0678-001Z	FERRITE BEAD	
K5102		QUY153-050Y	IM BUS WIRE	
K7111		NRSA63J-0R0X	MG RESISTOR	0Ω,1/10W
PC3001		GP3S123	IC(PHOTO SENSOR)	
PC3002		GP3S123	IC(PHOTO SENSOR)	
△ PC5101		PS2561L1-1/WL/	IC(PHOTO COUPLE	
T2051		PELN0832	OSC TRANSFORMER	
△ T5001		QQS0034-001	SW TRANSF	
SD1		LP21065-001A	SHEILD PLATE (PRE)	
OT3		QYTDST3006Z	SCREW,HEAT SINK	
DI7001		LTG-Y2K16M-J	LE DIODE	
TU6001		QAU0208-002	TUNER	
HS1		LP40090-001A	HEAT SINK,Q5101	
FC5001		QNG0006-001Z	FUSE CLIP,F5001	
FC5002		QNG0006-001Z	FUSE CLIP,F5001	
△ LF5001		PELN1204-01-01	LINE FILTER	
△ LF5002		QQR0978-001	LINE FILTER	
CN1		QGF1028C3-04	FPC CONNE,(5-8)UPPER DRUM	
CN2001		QGF1207C1-07	FPC CONNECTOR,(1-7)A/C HEAD	
CN2002		QGB2532J1-02	CONNECTOR,(1-2)FE HEAD	
CN3001		QGB2015M2-08	CONNECTOR,(1-8)CAPSTAN MOTOR	
CN3002		QGF1207C1-05	FPC CONNECTOR,(1-5)DRUM MDA	
CN3003		QGB2532J1-02	CONNECTOR,(1-2)LOADING MOTOR	
CN3004		QGB2534J2-04	CONNECTOR,(1-4)ROTARY ENCODER	

#	△ REF No.	PART No.	PART NAME, DESCRIPTION	
△ CN5001		QGA7901C3-02	CONNECTOR, (1-2) AC IN	
CN7101		QGF1207C1-07	FPC CONNECTOR, (1-7) TERMINAL	
△ CP4001		ICP-N25	CIRCUIT PROTECTOR	
△ CP5302		ICP-N25	CIRCUIT PROTECTOR	
△ F5001		QMF51E2-2R0J1	FUSE	T2.0A,AC250V

TERMINAL BOARD ASSEMBLY <06>

PW1	LPA10146-01B	TERMINAL BOARD ASSY	
R7113	NRSA02J-750X	MG RESISTOR	75Ω,1/10W
R7114	NRSA02J-682X	MG RESISTOR	6.8kΩ,1/10W
R7115	NRSA02J-682X	MG RESISTOR	6.8kΩ,1/10W
R7117	NRSA02J-750X	MG RESISTOR	75Ω,1/10W
C7115	NCB21HK-471X	CAPACITOR	470pF,50V
C7151	NCB21HK-471X	CAPACITOR	470pF,50V
C7152	NCB21HK-471X	CAPACITOR	470pF,50V
C7168	NDC21HJ-101X	CAPACITOR	100pF,50V
L7101	NQL402M-4R7X	COIL	4.7μH
L7102	NQL103K-R10X	COIL	0.1μH
K7101	NQR0403-003X	FERRITE BEARDS	
K7102	NQR0403-003X	FERRITE BEARDS	
ET1	LP30919-001A	EARTH PLATE	
△ TB1	LP20980-001D	TERMINAL BOARD	
WR1	QUQ112-0712CG	FFC WIRE	
J7101	PEMC1177	RGB21PIN SOCKET	
OT1	QYTDSF3010Z	SCREW,X2 TERMINAL PWB	
OT2	QYTDSF3010Z	SCREW,EARTH PLATE	
OT3	PU59915-110	#500 SPACER 0.014	
OT4	PU59915-107	#500 SPACER 0.007	
CN7102	QGF1207F1-07	FPC CONNECTOR, (1-7) MAIN	

A/C HEAD BOARD ASSEMBLY <12>

PW1	LP10122-01A1	A/C HEAD BOARD ASSY	
CN1	QGF1208F1-07	FPC CONNECTOR	

LOADING MOTOR BOARD ASSEMBLY <55>

PW2	LP10122-01A2	LOADING MOTOR BOARD ASSY	
CN1	QGB2533K1-02	CONNECTOR	